



# 强力静音粉碎机TGP系列

TGP Series Powerful Sound-Proof Granulators

TGP

# 强力静音粉碎机 TGP系列 TGP Series Powerful Sound-Proof Granulators

TGP

料斗采用双层结构，减少噪音，使得设备具有良好的安全性及环保性，省电耐用。结构合理，操作方便，可掀式设计，方便维修与保养。全封闭静音设计，机台周围1米范围外噪音在85分贝以下，提供良好工作环境。另外提供强力粉碎机供客户选择。

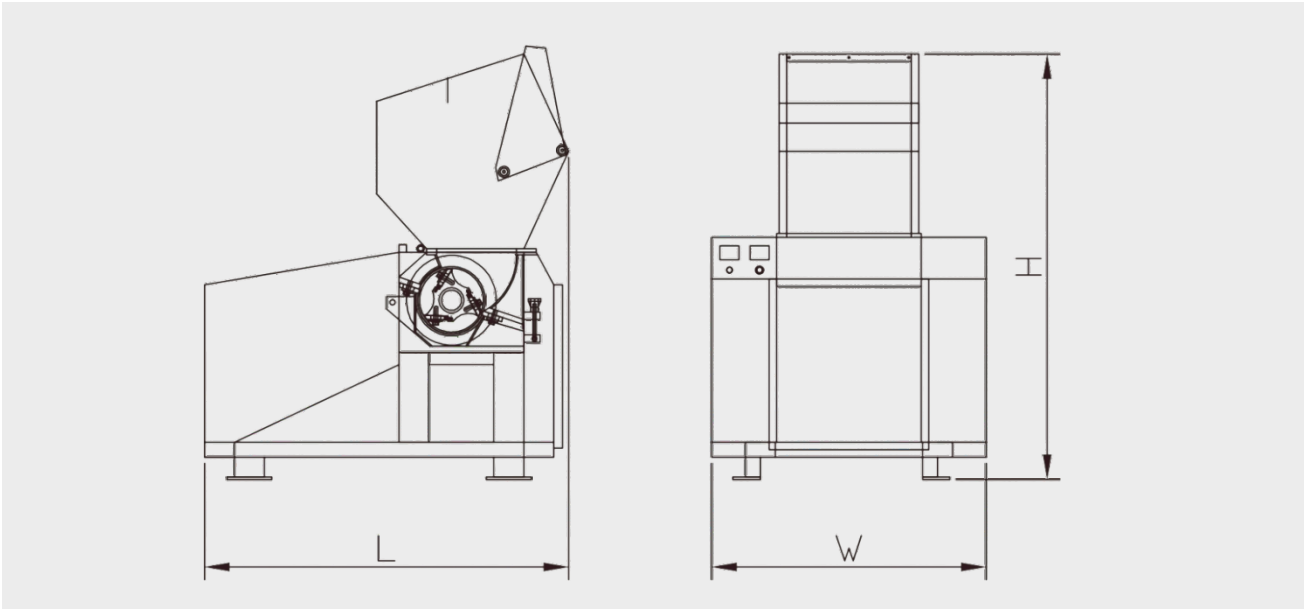
Double sound isolation for low noise level; optimal structure for easy operation; openable design for easy maintenance. Fully hermetic sound-proof design provides excellent working environment result in noise level below 85db under the condition which measures it within one meter away from the machines. In addition, powerful granulators are available for customers' selection.



## ● 特点 Features

- 全封闭静音设计，机台周围1米范围外噪音在85db以下，同时避免了粉尘污染。
- 不锈钢储料箱清洗快速,方便,也可选配吸料口型不锈钢储料箱。
- 马达超载保护装置，紧急安全开关装置。
- 配有相序控制器，可防止因电机反转所造成的不良后果。
- 装有电源隔离开关，维修、操作更加方便、安全。
- 静音型粉碎机，可供集中粉碎和随机粉碎使用。
- 独特设计内部散热系统，在全封闭下，将电机所产生的热量排出机外，延长电机使用寿命。
- 活动不锈钢料斗、手柄开关等人性化设计，操作方便。

- Fully hermetic & silent design , the noise level is below 85db around 1 meter distance away from machines, also avoid dust contamination simultaneously .
- The material storage tank is made of stainless steel for easy cleaning, stainless steel suction spout is also available for option.
- Motor overload protection device, emergency safety switch device.
- To be equipped with electrical phase controller , avoid any damage from motor reverse .
- To install power isolator, easy maintenance & safety operation.
- This series can be used beside- the - press and collect all rejected parts to granulate together.
- Unique design with inside heat dispersion system, expel heat generated from electrical cabinet to prolong parts' service life even under the fully hermetic machine.
- Movable stainless feeding hopper and handle switch with optimal design are operation conveniently.



● 规格表 Specification Sheet

产品型号 MODEL	TGP-2321PQ	TGP-4127PQ	TGP-5232PQ	TGP-6234PQ	TGP-8148PQ
粉碎口径 Crushing Chamber (mm)	230 × 200	410 × 270	520 × 320	620 × 340	815 × 480
最大粉碎能力 Mix Crushing Ability(KG/HR)	100	200	300	350	500
固定刀 Fixed Cutters	2	2	2	4	4
旋转刀数量 Rotating Blades	6	12	15	18	24
马达功率 Motor Power (HP)	4/5	7.5/10	11/15	15/20	22/30
外形尺寸 Dimensions LxWxH(m)	1 × 0.72 × 1.49	1.18 × 0.93 × 1.7	1.3 × 1.06 × 1.96	1.36 × 1.16 × 2.13	1.85 × 1.54 × 2.68
重量 Weight(Kg)	500	800	1100	1350	2250

注：产品规格若有变更，恕不另行通知 We reserve right to change specifications without prior notice

有关产品性质和适用范围的说明并不保证产品属性，仅作可供了解的信息。我们的供货范围及提供的服务完全以合同条款为准绳。技术数据和插图仅作为供货参考。保留更改权利。

Feature and scope of the product does not guarantee the product attributes,only for reference.Our scope of delivery and services provided are based solely on the terms of delivery and services provided are based solely on the terms of the contract.Technical data and illustration are only for reference .We reserve the rights of changing.

TSD-2021-12

## 广东拓斯达科技股份有限公司

GUANGDONG TOPSTAR TECHNOLOGY CO.,LTD.

地址：广东省东莞市大岭山镇大塘朗创新路2号

ADD : No.2 Chuangxin Road, Datanglang, Dalingshan Town, Dongguan City, Guangdong Province.

电话/TEL: 0769-8305 0999 传真/FAX: 0769-8584 5562

全国统一客服热线 Domestic Service Hotline **400-096-8005**

